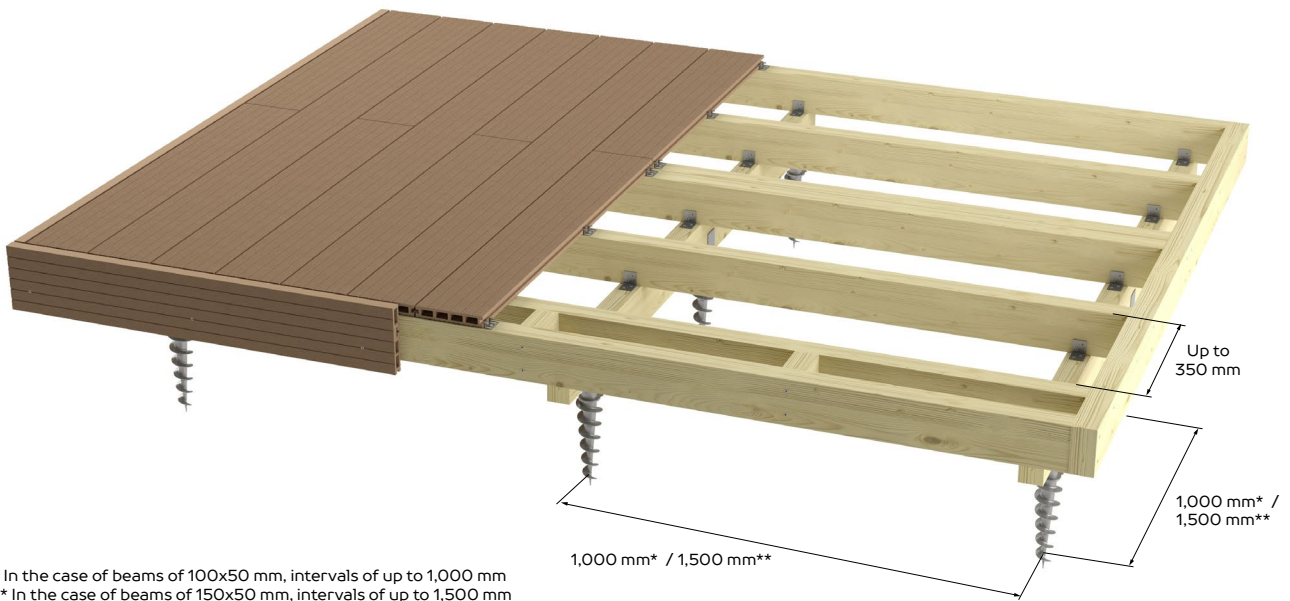


INSTALLATION OF TERRACE BOARDS V11

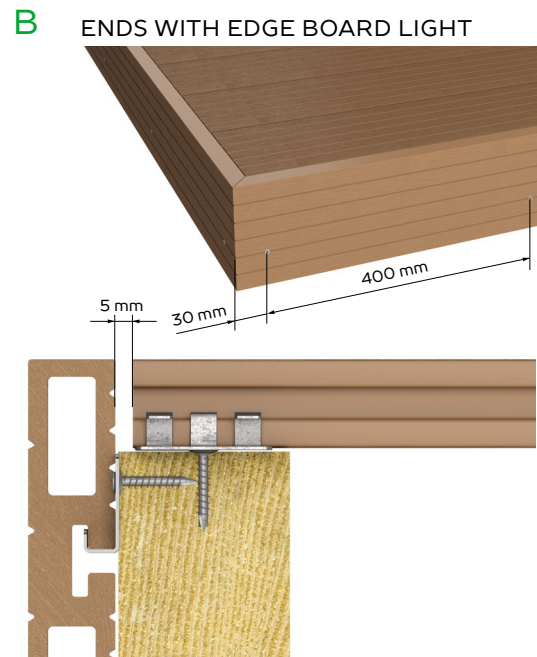
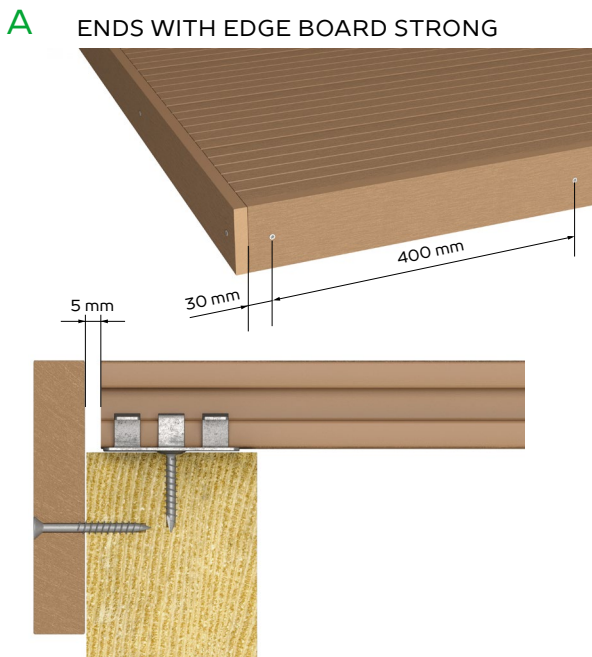
TIMBER BEAM SUBSTRUCTURE ON SCREW PILES



* In the case of beams of 100x50 mm, intervals of up to 1,000 mm
 ** In the case of beams of 150x50 mm, intervals of up to 1,500 mm

COVERING THE EDGES

Edge boards with measures of 80x15 mm and 150x25 mm made of wood plastic composite material are the most suitable to cover the edges. Fixing screws must be installed after every 400 mm. The joints of an edge board must have a 5 mm space and the minimum distance of a fixing screw from the edge must be 30 mm.



EXPANSION GAPS

Depending on the outdoor temperature, expansion gaps should be left at the joints.



EXPANSION GAPS (mm)				
Installation temperature	Board length			
	1.0 m	2.0 m	3.0 m	4.2 m
10 °C	2.0	4.0	6.0	8.4
20 °C	1.5	3.0	4.5	6.3
25 °C	1.0	2.0	3.0	4.2
30 °C	0.5	1.0	1.5	2.1

CUTTING

To cut the wood plastic composite material regular wood cutting devices are suitable, large tooth saw blades should be avoided.

STORAGE

Avoid dragging and throwing the boards while loading and storing. Terrace boards should be stored horizontally on the flat surface, preferably in an original package, on a wooden surface or on 50 mm wide wood poles, which spacing should not exceed 500 mm. To be stored in a well-ventilated room.

DRILLING

To fix with screws it is always necessary to previously drill the screw holes into the wood plastic composite material. The drill should be smaller than the diameter of the screw. For instance, For a 4 mm

MATERIALS AND WORK EQUIPMENT

Necessary materials:

- Terrace boards
- Starter clip
- Fixing clip
- Screws
- Beams

Work equipment:

- Cordless drill (drill and torx nozzle)
- Saw
- Securing straps
- Pencil
- Protective equipment (goggles, gloves etc.)

BASE CONSTRUCTION

The beams must be supported by the substructure so that the distance between two supporting beams does not exceed 1,000 mm in the case of 100x50 mm beams or 1,500 mm in the case of 150x50 mm beams. The beams should be installed with an interval of up to 350 mm. In the places where one terrace board ends and another one begins, two beams must be installed side-

by-side. Outermost beams should be installed so that the terrace board does not extend more than 30 mm over the edge of the beam. At least three supporting beams must be used for installation of short terrace boards (from 40 mm).

NB! The base construction should be formed in a way that the terrace would be with a slight slope (5 mm/m) to avoid water puddles.

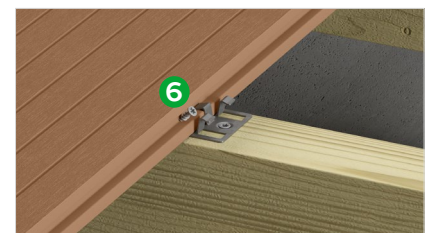
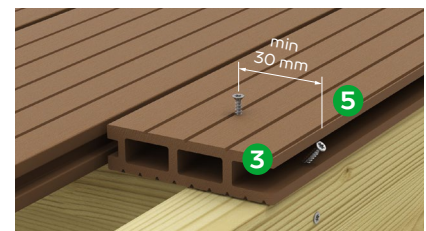
diameter screw, the drill should be with 3 mm diameter. During the sawing process the drill should occasionally be drawn out of the drilling hole, so the sawdust would get out of the hole.

PRE-DRILLING OF EDGE PROFILES

For fixing of edge profiles, screw holes should always be pre-drilled. The drill should be bigger than the diameter of the screw. For instance, For a 4 mm diameter screw, the drill should be with 5 mm diameter. During the sawing process the drill should occasionally be drawn out of the drilling hole, so the sawdust would get out of the hole.

INSTALLATION OF TERRACE BOARDS

1. First terrace board should be fixed with a starter clip.
2. The next ones should be fixed with a fixing clip.
3. The last board should be fixed with a screw diagonally, from the edge of the board or right through from the middle of the board.
4. 5 mm space must remain in the joints of boards, contact space with edging board, house wall or some other objects.
5. By fixing the screw through the board, leave a 30 mm space between the board edge and securing space.
6. In order to enable uniform expansion of the boards, all boards should be fixed with one screw (advisably in the middle of the board) diagonally from the edge of the board.



ADVISABLE INSTALLATION PATTERNS

